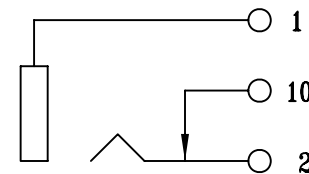
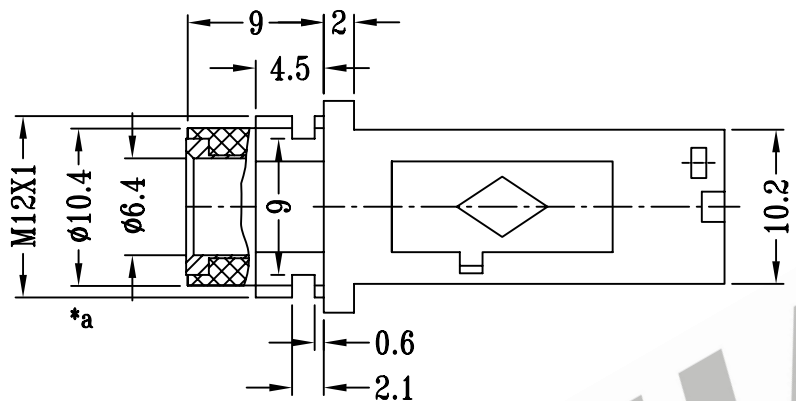
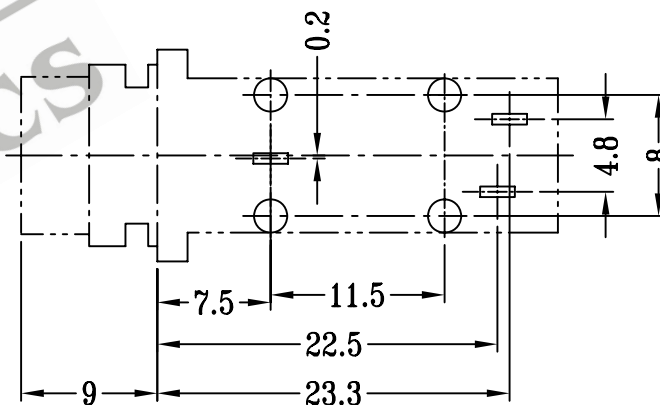
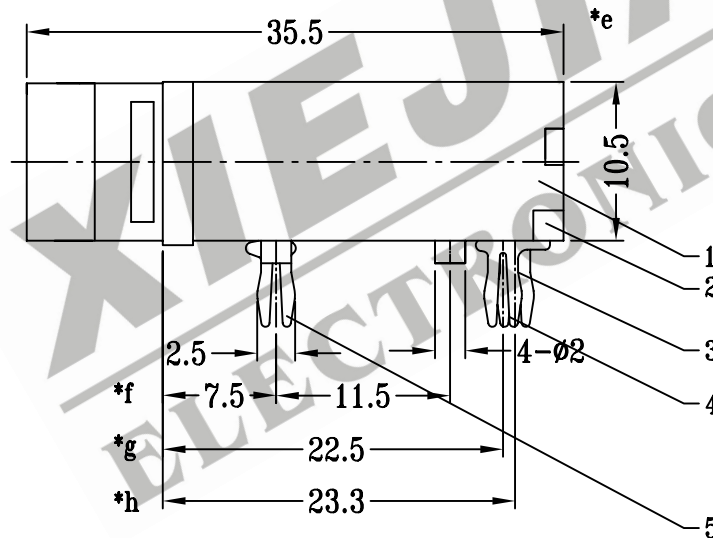
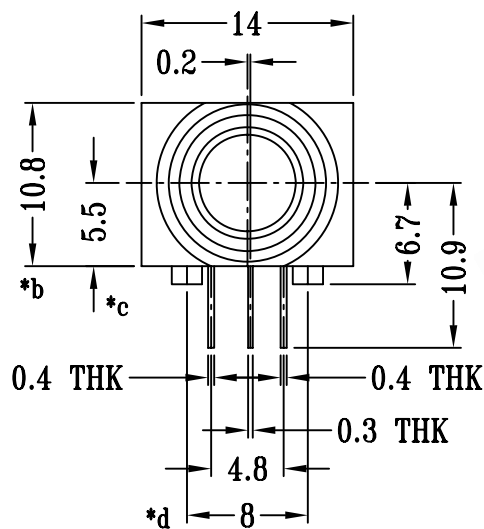


CAD FILE:



SCHEMATIC (MONO)



P.C.B LAYOUT

注:带"*"表示关键尺寸(8个)

NO.	PARTS	MATERIALS	Q'TY	FINISH	TOLERANCE UNLESS SPECIFIED	SHENZHEN XIEJIA ELECTRONICS CO.,LTD.				
8										
7										
6	SOCKET	BRASS	1	Au PLATED	WITHIN: 1.5 ±0.1mm OVER: 1.5 ±0.2mm	ISSUE	DATE	DESCRIPTIONS OF REVISION		APPD.
5	SPRING TERMINAL A	PBS STRIP	1	Ag PLATED OVER Ni PLATED	TITLE : PHONE JACK		UNIT : mm	DRWG NO.: XJ-DR-MJ069-00		
4	SPRING TERMINAL C	PBS STRIP	1	Ag PLATED OVER Ni PLATED	MODEL: MJ-069		SCALE: 2 : 1	DWN.	ZHOUYU	2005-8-9
3	TERMINAL B	BRASS STRIP	1	Ag PLATED OVER Ni PLATED	ALL MATERIALS MUST BE COMPLIANT TO ROHS			CHK'D	FANGYING	2005-8-9
2	COVER	PC	1	RED				APPD.	KANGXINAN	2005-8-9
1	CASE	PC	1	BLACK						